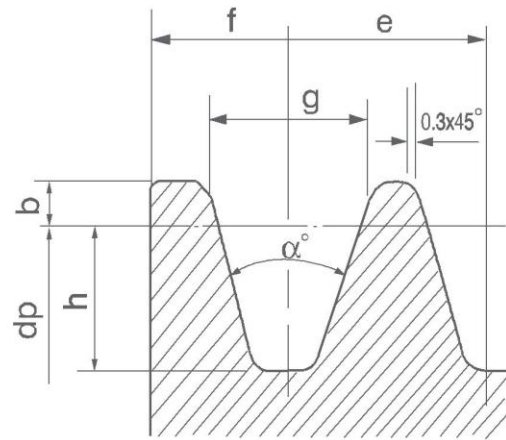


Stock Bore V-pulleys



SPZ - SPA - SPB - SPC BS3790 - 1981

SIZE	PD(mm)	α°	f	e	g	h	b
Z-SPZ	≤80	34	8	12	9.7	9	2
	>80	38			9.9		
A-SPA	≤118	34	10	15	12.7	11	2.75
	>118	38			12.9		
B-SPB	≤190	34	12.5	19	16.1	14	3.5
	>190	38			16.4		
C-SPC	≤315	34	17	25.5	21.9	19	4.8
	>315	38			22.3		

SELECTION FOR STOCK V-BELT PULLEYS

