

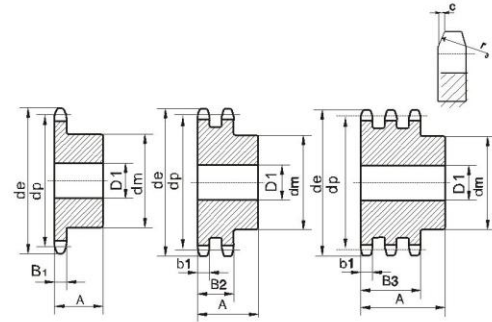
Sprockets & Platewheels

Z	d _e	d _p	Simplex			Doublex			Triplex		
			d _m	D ₁	A	d _m	D ₁	A	d _m	D ₁	A
8	28.0	24.89	15	6	22	15	6	22	15	6	32
9	31.0	27.85	18	8	22	18	8	22	18	8	32
10	34.0	30.82	20	8	22	20	8	22	20	10	32
11	37.0	33.80	22	8	25	22	10	25	22	10	35
12	40.0	36.80	25	8	25	25	10	25	25	10	35
13	43.0	39.79	28	10	25	28	10	25	28	10	35
14	46.3	42.80	31	10	25	31	10	25	31	12	35
15	49.3	45.81	34	10	25	34	10	25	34	12	35
16	52.3	48.82	37	10	28	37	12	30	37	12	35
17	55.3	51.83	40	10	28	40	12	30	40	12	35
18	58.3	54.85	43	10	28	43	12	30	43	12	35
19	61.3	57.87	45	10	28	46	12	30	46	12	35
20	64.3	60.89	46	10	28	49	12	30	49	12	35
21	68.0	63.91	48	12	28	52	12	30	52	14	40
22	71.0	66.93	50	12	28	55	12	30	55	14	40
23	73.5	69.95	52	12	28	58	12	30	58	14	40
24	77.0	72.97	54	12	28	61	12	30	61	14	40
25	80.0	76.00	57	12	28	64	12	30	64	14	40
26	83.0	79.02	60	12	28	67	12	30	67	14	40
27	86.0	82.05	60	12	28	70	12	30	70	14	40
28	89.0	85.07	60	12	28	73	12	30	73	14	40
29	92.0	88.09	60	12	28	76	12	30	76	14	40
30	94.7	91.12	60	12	30	79	12	30	79	14	40
31	98.3	94.15	65	14	30	80	16	30	80	16	40
32	101.3	97.17	65	14	30	80	16	30	80	16	40
33	104.3	100.20	65	14	30	80	16	30	80	16	40
34	107.3	103.23	65	14	30	80	16	30	85	16	40
35	110.4	106.26	65	14	30	80	16	30	85	16	40
36	113.4	109.29	70	16	30	90	16	30	90	16	40
37	116.4	112.32	70	16	30	90	16	30	90	16	40
38	119.5	115.35	70	16	30	90	16	30	90	16	40
39	122.5	118.37	70	16	30	90	16	30	90	16	40
40	125.5	121.40	70	16	30	90	16	30	90	16	40

06B

3/8" x 7/32"

For Roller Chains DIN8187 ISO/R 606



SPROCKET

		mm
Tooth radius	r ₃	10
Radius width	C	1.0
Tooth width	B ₁	5.3
Tooth width	b ₁	5.2
Tooth width	B ₂	15.4
Tooth width	B ₃	25.6

CHAIN

	mm
Pitch	9.525
Inner width	5.72
Roller diameter	6.35

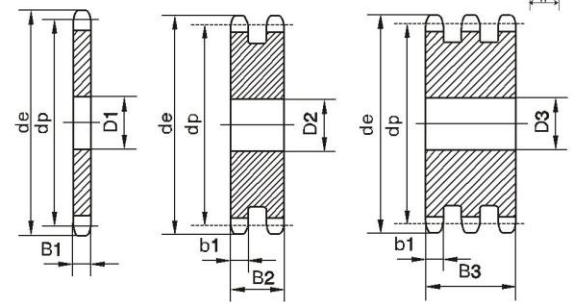
Z	d _e	d _p	S _p D _p T _p			Z	d _e	d _p	S _p D _p T _p		
			D ₁	D ₂	D ₃				D ₁	D ₂	D ₃
8	28.0	24.89	6	6	6	44	137.6	133.52	16	16	16
9	31.0	27.85	7	8	8	45	140.7	136.55	16	16	16
10	34.0	30.82	7	8	10	46	143.7	139.58	16	16	16
11	37.0	33.80	8	10	10	47	146.7	142.61	16	16	16
12	40.0	36.80	8	10	10	48	149.7	145.64	16	16	16
13	43.0	39.79	8	10	10	49	152.7	148.66	16	16	16
14	46.3	42.80	8	10	12	50	155.7	151.69	16	16	16
15	49.3	45.81	8	10	12	51	158.7	154.72	16	16	20
16	52.3	48.82	10	12	12	52	161.8	157.75	16	16	20
17	55.3	51.83	10	12	12	53	164.8	160.78	16	16	20
18	58.3	54.85	10	12	12	54	167.8	163.82	16	16	20
19	61.3	57.87	10	12	12	55	170.8	166.85	16	16	20
20	64.3	60.89	10	12	12	56	173.8	169.88	16	16	20
21	68.0	63.91	10	12	14	57	176.9	172.91	16	16	20
22	71.0	66.93	10	12	14	58	179.9	175.93	16	16	20
23	73.5	69.95	10	12	14	59	183.0	178.96	16	16	20
24	77.0	72.97	10	12	14	60	186.0	181.99	16	16	20
25	80.0	76.02	10	12	14	62	192.1	188.06	20	20	20
26	83.0	79.02	10	12	14	64	198.2	194.12	20	20	20
27	86.0	82.02	10	12	14	65	201.6	197.15	20	20	20
28	89.0	85.07	10	12	14	66	204.6	200.18	20	20	25
29	92.0	88.09	10	12	14	68	210.7	206.24	20	20	25
30	94.7	91.12	10	12	14	70	216.7	212.3	20	20	25
31	98.3	94.15	12	14	16	72	222.8	218.37	20	20	25
32	101.3	97.17	12	14	16	75	231.9	227.46	20	20	25
33	104.3	100.20	12	14	16	76	234.9	230.49	20	20	25
34	107.3	103.23	12	14	16	78	241.0	236.55	20	20	25
35	110.4	106.26	12	14	16	80	247.1	242.61	20	20	25
36	113.4	109.29	12	14	16	85	262.2	257.77	20	20	25
37	116.4	112.32	12	14	16	90	277.4	272.93	20	20	25
38	119.5	115.35	12	14	16	95	292.5	288.08	20	20	25
39	122.5	118.37	12	14	16	100	307.7	303.25	20	20	25
40	125.5	121.40	12	14	16	110	338.0	333.55	20	20	25
41	128.5	124.43	16	16	16	114	349.5	345.68	20	20	25
42	131.6	127.46	16	16	16	120	368.3	363.86	20	20	25
43	134.6	130.49	16	16	16	125	383.5	379.02	20	20	25

06A

3/8" x 7/32"

For Roller Chains DIN8187 ISO/R 606

The plate can be increased from 2.10mm to 7mm



PLATEWHEEL

		mm
Tooth radius	r ₃	10
Radius width	C	1.0
Tooth width	B ₁	5.3
Tooth width	b ₁	5.2
Tooth width	B ₂	15.4
Tooth width	B ₃	25.6

CHAIN

	mm
Pitch	9.525
Inner width	5.72
Roller diameter	6.35

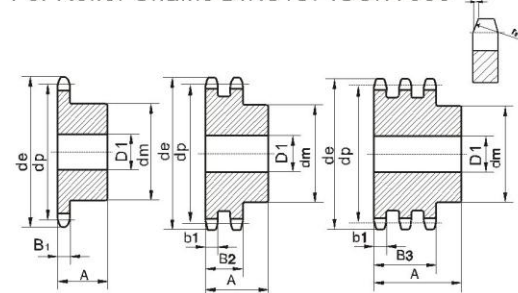
Sprockets & Platewheels

Z	d _e	d _p	Simplex			Doublex			Triplex		
			d _m	D ₁	A	d _m	D ₁	A	d _m	D ₁	A
8	37.2	33.18	20	10	25	20	10	32	20	10	46
9	41.0	37.13	24	10	25	24	10	32	24	12	46
10	45.2	41.10	26	10	25	28	10	32	28	12	46
11	48.7	45.07	29	10	25	32	12	35	32	14	50
12	53.0	49.07	33	10	28	35	12	35	35	14	50
13	57.4	53.06	37	10	28	38	12	35	38	14	50
14	61.8	57.07	41	10	28	42	12	35	42	14	50
15	65.5	61.09	45	10	28	46	12	35	46	14	50
16	69.5	65.10	50	12	28	50	14	35	50	16	50
17	73.6	69.11	52	12	28	54	14	35	54	16	50
18	77.8	73.14	56	12	28	58	14	35	58	16	50
19	81.7	77.16	60	12	28	62	14	35	62	16	50
20	85.8	81.19	64	12	28	66	14	35	66	16	50
21	89.7	85.22	68	12	28	70	16	40	70	20	55
22	93.8	89.24	70	12	28	70	16	40	70	20	55
23	98.2	93.27	70	14	28	70	16	40	70	20	55
24	101.8	97.29	70	14	28	75	16	40	75	20	55
25	105.8	101.33	70	14	28	80	16	40	80	20	55
26	110.0	105.36	70	16	30	85	20	40	85	20	55
27	114.0	109.40	70	16	30	85	20	40	85	20	55
28	118.0	113.42	70	16	30	90	20	40	90	20	55
29	122.0	117.46	80	16	30	95	20	40	95	20	55
30	126.1	121.50	80	16	30	100	20	40	100	20	55
31	130.2	125.54	90	16	30	100	20	40	110	20	55
32	134.3	129.56	90	16	30	100	20	40	110	20	55
33	138.4	133.60	90	16	30	100	20	40	110	20	55
34	142.6	137.64	90	16	30	100	20	40	110	20	55
35	146.7	141.68	90	16	30	100	20	40	110	20	55
36	151.0	145.72	90	16	35	110	20	40	120	25	55
37	154.6	149.76	90	16	35	110	20	40	120	25	55
38	158.6	153.80	90	16	35	110	20	40	120	25	55
39	162.7	157.83	90	16	35	110	20	40	120	25	55
40	166.8	161.87	90	16	35	110	20	40	120	25	55

08B

1/2" x 5/16"

For Roller Chains DIN8187 ISO/R 606



SPROCKET

Tooth radius	r ₃	mm	13
Radius width	C	mm	1.3
Tooth width	B ₁	mm	7.2
Tooth width	b ₁	mm	7.0
Tooth width	B ₂	mm	21
Tooth width	B ₃	mm	34.9

CHAIN

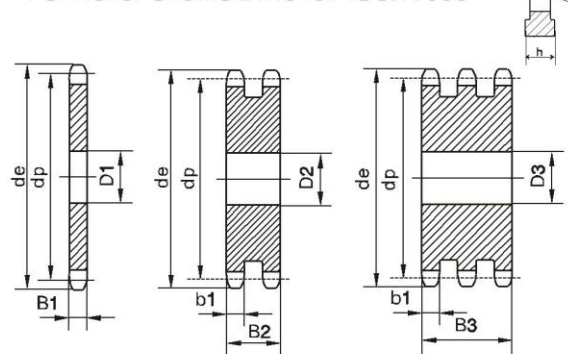
Pitch	mm	12.7
Inner width	mm	7.75
Roller diameter	mm	8.51

Z	d _e	d _p	Simplex			Z	d _e	d _p	Simplex		
			D ₁	D ₂	D ₃				D ₁	D ₂	D ₃
8	37.2	33.18	8	10	10	44	183.8	178.03	20	20	25
9	41.0	37.13	8	10	12	45	188.0	182.07	20	20	25
10	45.2	41.10	8	10	12	46	192.1	186.10	20	20	25
11	48.7	45.07	10	12	14	47	198.2	190.14	20	20	25
12	53.0	49.07	10	12	14	48	200.3	194.18	20	20	25
13	57.4	53.06	10	12	14	49	204.3	198.22	20	20	25
14	61.8	57.07	10	12	14	50	208.3	202.26	20	20	25
15	65.5	61.09	10	12	14	51	212.1	206.30	20	25	25
16	69.5	65.10	10	14	16	52	216.1	210.34	20	25	25
17	73.6	69.11	10	14	16	53	220.2	214.37	20	25	25
18	77.8	73.14	10	14	16	54	224.1	218.43	20	25	25
19	81.7	77.16	10	14	16	55	228.1	222.46	20	25	25
20	85.8	81.19	10	14	16	56	232.2	226.50	20	25	25
21	89.7	85.22	12	16	20	57	236.4	230.54	20	25	25
22	93.8	89.24	12	16	20	58	240.5	234.58	20	25	25
23	98.2	93.27	12	16	20	59	244.5	238.62	20	25	25
24	101.8	97.29	12	16	20	60	248.6	242.66	20	25	25
25	105.8	101.33	12	16	20	62	256.9	250.75	25	25	25
26	110.0	105.36	16	16	20	64	265.1	258.82	25	25	25
27	114.0	109.40	16	16	20	65	269.0	262.86	25	25	25
28	118.0	113.42	16	16	20	66	273.0	266.90	25	25	25
29	122.0	117.46	16	16	20	68	281.0	274.99	25	25	25
30	126.1	121.50	16	16	20	70	289.0	283.07	25	25	25
31	130.2	125.54	16	16	20	72	297.2	291.16	25	25	25
32	134.3	129.56	16	16	20	75	309.2	303.27	25	25	25
33	138.4	133.60	16	16	20	76	313.3	307.33	25	25	25
34	142.6	137.64	16	16	20	78	321.4	315.40	25	25	25
35	146.7	141.68	16	16	20	80	329.4	323.48	25	25	25
36	151.0	145.72	16	20	25	85	349.0	343.70	25	25	25
37	154.6	149.76	16	20	25	90	369.9	363.90	25	25	25
38	158.6	153.80	16	20	25	95	390.1	384.11	25	25	25
39	162.7	157.83	16	20	25	100	410.3	404.32	25	25	25
40	166.8	161.87	16	20	25	110	450.7	444.74	25	25	25
41	171.4	165.91	20	20	25	114	466.9	460.90	25	25	25
42	175.4	169.95	20	20	25	120	491.2	485.16	25	25	25
43	179.7	173.99	20	20	25	125	511.3	505.37	25	25	25

08A

1/2" x 5/16"

For Roller Chains DIN8187 ISO/R 606



PLATEWHEEL

Tooth radius	r ₃	mm	13
Radius width	C	mm	1.3
Tooth width	B ₁	mm	7.2
Tooth width	b ₁	mm	7.0
Tooth width	B ₂	mm	21
Tooth width	B ₃	mm	34.9

CHAIN

Pitch	mm	12.7
Inner width	mm	7.75
Roller diameter	mm	8.51

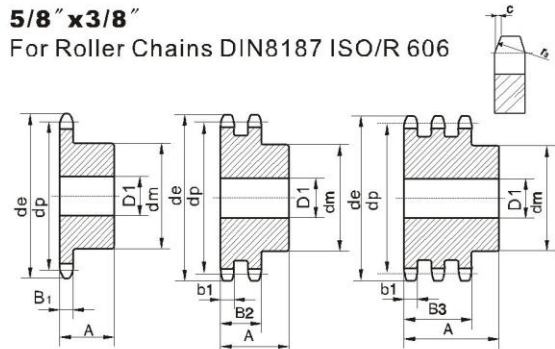
Sprockets & Platewheels

Z	Simplex			Doublex			Triplex				
	d _c	d _p	A	d _m	D ₁	A	d _m	D ₁	A		
8	47.0	41.48	25	10	25	25	12	40	25	12	55
9	52.6	46.42	30	10	25	30	12	40	30	12	55
10	57.5	51.37	35	10	25	35	12	40	35	16	55
11	63.0	56.34	37	12	30	39	14	40	39	16	55
12	68.0	61.34	42	12	30	44	14	40	44	16	55
13	73.0	66.32	47	12	30	49	14	40	49	16	55
14	78.0	71.34	52	12	30	54	14	40	54	16	55
15	83.0	76.36	57	12	30	59	14	40	59	16	55
16	88.0	81.37	60	12	30	64	16	45	64	16	60
17	93.0	86.39	60	12	30	69	16	45	69	16	60
18	98.3	91.42	70	14	30	74	16	45	74	16	60
19	103.3	96.45	70	14	30	79	16	45	79	16	60
20	108.4	101.49	75	14	30	84	16	45	84	16	60
21	113.4	106.52	75	16	30	85	16	45	85	20	60
22	118.0	111.55	80	16	30	90	16	45	90	20	60
23	123.4	116.58	80	16	30	95	16	45	95	20	60
24	128.3	121.62	80	16	30	100	16	45	100	20	60
25	134.0	126.66	80	16	30	105	16	45	105	20	60
26	139.0	131.70	85	20	35	110	20	45	110	20	60
27	144.0	136.75	85	20	35	110	20	45	110	20	60
28	148.7	141.78	90	20	35	115	20	45	115	20	60
29	153.8	146.83	90	20	35	115	20	45	115	20	60
30	158.8	151.87	90	20	35	120	20	45	120	20	60
31	163.9	156.92	95	20	35	120	20	45	120	20	60
32	168.9	161.95	95	20	35	120	20	45	120	20	60
33	174.5	167.00	95	20	35	120	20	45	120	20	60
34	179.0	172.05	95	20	35	120	20	45	120	20	60
35	184.1	177.10	95	20	35	120	20	45	120	20	60
36	189.1	182.15	100	20	35	120	20	45	120	25	60
37	194.2	187.20	100	20	35	120	20	45	120	25	60
38	199.2	192.24	100	20	35	120	20	45	120	25	60
39	204.2	197.29	100	20	35	120	20	45	120	25	60
40	209.3	202.34	100	20	35	120	20	45	120	25	60

10B

5/8" x 3/8"

For Roller Chains DIN8187 ISO/R 606



SPROCKET

Parameter	Symbol	Value (mm)
Tooth radius	r ₃	16
Radius width	C	1.6
Tooth width	B ₁	9.1
Tooth width	b ₁	9.0
Tooth width	B ₂	25.5
Tooth width	B ₃	42.1

CHAIN

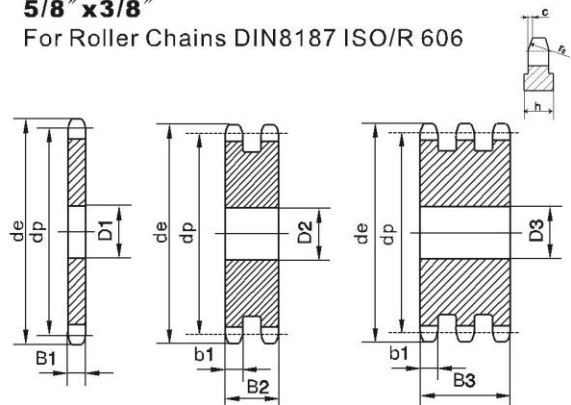
Parameter	Value (mm)
Pitch	15.875
Inner width	9.65
Roller diameter	10.16

Z	S _P			D _P			T _P				
	d _c	d _p	A	D ₁	D ₂	D ₃	Z	d _c	d _p	D ₁	D ₂
8	47.0	41.48	10	12	12	44	230.0	222.53	20	20	25
9	52.6	46.42	10	12	12	45	235.0	227.58	20	20	25
10	57.5	51.37	10	12	16	46	240.1	232.63	20	25	25
11	63.0	56.34	10	14	16	47	245.1	237.68	20	25	25
12	68.0	61.34	10	14	16	48	250.2	242.73	20	25	25
13	73.0	66.32	10	14	16	49	255.2	247.78	20	25	25
14	78.0	71.34	10	14	16	50	260.3	252.82	20	25	25
15	83.0	76.36	10	14	16	51	265.3	257.87	20	25	25
16	88.0	81.37	12	16	16	52	270.4	262.92	20	25	25
17	93.0	86.38	12	16	16	53	275.4	267.97	20	25	25
18	98.3	91.42	12	16	16	54	280.5	273.03	20	25	25
19	103.3	96.45	12	16	16	55	285.5	278.08	20	25	25
20	108.4	101.49	12	16	16	56	290.6	283.13	25	25	25
21	113.4	106.52	12	16	20	57	296.0	288.18	25	25	25
22	118.0	111.55	12	16	20	58	300.7	293.23	25	25	25
23	123.4	116.58	12	16	20	59	305.7	298.27	25	25	25
24	128.3	121.62	12	16	20	60	310.8	303.32	25	25	25
25	134.0	126.66	12	16	20	62	321.4	313.43	25	25	30
26	139.0	131.70	16	16	20	64	331.5	323.53	25	25	30
27	144.0	136.75	16	16	20	65	336.5	328.58	25	25	30
28	148.7	141.78	16	16	20	66	341.6	333.63	25	25	30
29	153.8	146.83	16	16	20	68	351.7	343.74	25	25	30
30	158.8	151.87	16	16	20	70	361.8	353.84	25	25	30
31	163.9	156.92	16	20	20	72	371.9	363.95	25	25	30
32	168.9	161.95	16	20	20	75	387.1	379.09	25	25	30
33	174.5	167.00	16	20	20	76	392.1	384.16	25	25	30
34	179.0	172.05	16	20	20	78	402.2	394.25	25	25	30
35	184.1	177.10	16	20	20	80	412.3	404.35	25	30	30
36	189.1	182.15	20	20	25	85	437.6	429.62	30	30	30
37	194.2	187.20	20	20	25	90	462.8	454.88	30	30	30
38	199.2	192.24	20	20	25	95	488.5	480.14	30	30	30
39	204.2	197.29	20	20	25	100	513.4	505.39	30	30	30
40	209.3	202.34	20	20	25	110	563.9	555.92	30	30	30
41	214.8	207.39	20	20	25	114	584.1	576.13	30	30	30
42	219.9	212.44	20	20	25	120	614.4	606.45	30	30	30
43	224.9	217.49	20	20	25	125	639.7	631.51	30	30	30

10A

5/8" x 3/8"

For Roller Chains DIN8187 ISO/R 606



PLATEWHEEL

Parameter	Symbol	Value (mm)
Tooth radius	r ₃	16
Radius width	C	1.6
Tooth width	B ₁	9.1
Tooth width	b ₁	9.0
Tooth width	B ₂	25.5
Tooth width	B ₃	42.1

CHAIN

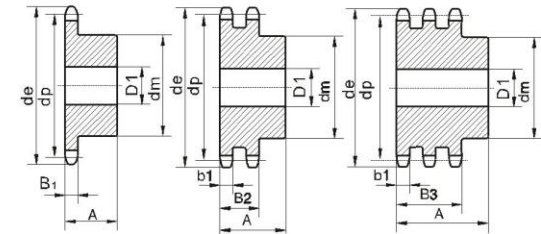
Parameter	Value (mm)
Pitch	15.875
Inner width	9.65
Roller diameter	10.16

Sprockets & Platewheels

Z	d _e	d _p	Simplex			Doublex			Triplex		
			d _m	D ₁	A	d _m	D ₁	A	d _m	D ₁	A
8	57.6	49.78	31	12	30	31	12	45	31	16	65
9	62.0	55.70	37	12	30	37	12	45	37	16	65
10	69.0	61.64	42	12	30	42	12	45	42	16	65
11	75.0	67.61	46	14	35	47	16	50	47	20	70
12	81.5	73.61	52	14	35	53	16	50	53	20	70
13	87.5	79.59	58	14	35	59	16	50	59	20	70
14	93.6	85.61	64	14	35	65	16	50	65	20	70
15	99.8	91.63	70	14	35	71	16	50	71	20	70
16	105.5	97.65	75	16	35	77	20	50	77	20	70
17	111.5	103.67	80	16	35	83	20	50	83	20	70
18	118.0	109.71	80	16	35	89	20	50	89	20	70
19	124.2	115.75	80	16	35	95	20	50	95	20	70
20	129.7	121.78	80	16	35	100	20	50	100	20	70
21	136.0	127.82	90	20	40	100	20	50	100	20	70
22	141.8	133.86	90	20	40	100	20	50	100	20	70
23	149.0	139.9	90	20	40	110	20	50	110	20	70
24	153.9	145.94	90	20	40	110	20	50	110	20	70
25	160.0	152.00	90	20	40	120	20	50	120	20	70
26	165.9	158.04	95	20	40	120	20	50	120	20	70
27	172.3	164.09	95	20	40	120	20	50	120	20	70
28	178.0	170.13	95	20	40	120	20	50	120	20	70
29	184.1	176.19	95	20	40	120	20	50	120	20	70
30	190.5	182.25	95	20	40	120	20	50	120	20	70
31	196.3	188.31	100	20	40	130	20	50	130	25	70
32	203.3	194.35	100	20	40	130	20	50	130	25	70
33	209.3	200.40	100	20	40	130	20	50	130	25	70
34	214.6	206.46	100	20	40	130	20	50	130	25	70
35	221.0	212.52	100	20	40	130	20	50	130	25	70
36	226.8	218.58	100	20	40	130	25	50	130	25	70
37	232.9	224.64	100	20	40	130	25	50	130	25	70
38	239.0	230.69	100	20	40	130	25	50	130	25	70
39	245.1	236.75	100	20	40	130	25	50	130	25	70
40	251.3	242.81	100	20	40	130	25	50	130	25	70

12B

3/4" x 7/16"
For Roller Chains DIN8187 ISO/R 606



SPROCKET

Tooth radius	r ₃	19
Radius width	C	2.0
Tooth width	B ₁	11.1
Tooth width	b ₁	10.8
Tooth width	B ₂	30.3
Tooth width	B ₃	49.8

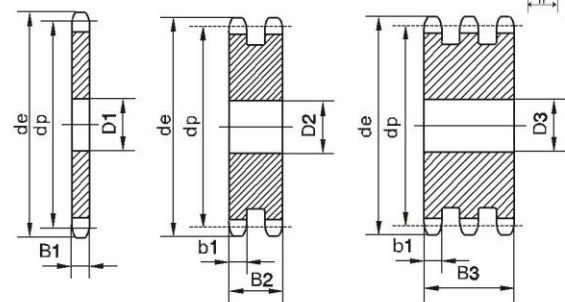
CHAIN

Pitch	19.05
Inner width	11.68
Roller diameter	12.07

Z	d _e	d _p	S _P			D _P			T _P		
			D ₁	D ₂	D ₃	Z	d _e	d _p	D ₁	D ₂	D ₃
8	57.6	49.78	12	12	16	44	276.5	267.04	25	25	25
9	62.0	55.70	12	12	16	45	282.5	273.10	25	25	25
10	69.0	61.64	12	12	16	46	287.9	279.16	25	25	25
11	75.0	67.61	14	16	20	47	294.0	285.21	25	25	25
12	81.5	73.61	14	16	20	48	300.1	291.27	25	25	25
13	87.5	79.59	14	16	20	49	306.2	297.33	25	25	25
14	93.6	85.61	14	16	20	50	312.3	303.39	25	25	25
15	99.8	91.63	14	16	20	51	318.4	309.45	25	25	25
16	105.5	97.65	14	20	20	52	324.5	315.50	25	25	25
17	111.5	103.67	14	20	20	53	330.5	321.56	25	25	25
18	118.0	109.71	14	20	20	54	336.6	327.62	25	25	25
19	124.2	115.75	14	20	20	55	342.7	333.70	25	25	25
20	129.7	121.78	14	20	20	56	348.7	339.75	25	25	30
21	136.0	127.82	16	20	20	57	355.4	345.81	25	25	30
22	141.8	133.86	16	20	20	58	361.5	351.87	25	25	30
23	149.0	139.90	16	20	20	59	367.5	357.93	25	25	30
24	153.9	145.94	16	20	20	60	373.0	363.99	25	25	30
25	160.0	152.00	16	20	20	62	385.1	376.12	25	30	30
26	165.9	158.04	16	20	20	64	397.2	388.24	25	30	30
27	172.3	164.09	16	20	20	65	403.2	394.29	25	30	30
28	178.0	170.13	16	20	20	66	409.3	400.35	30	30	30
29	184.1	176.19	16	20	20	68	421.4	412.49	30	30	30
30	190.5	182.25	16	20	20	70	433.6	424.60	30	30	30
31	196.3	188.31	20	20	25	72	447.0	436.74	30	30	30
32	203.3	194.36	20	20	25	75	463.9	454.91	30	30	30
33	209.3	200.40	20	20	25	76	469.9	460.99	30	30	30
34	214.6	206.46	20	20	25	78	482.1	473.10	30	30	30
35	221.0	212.52	20	20	25	80	494.2	485.22	30	30	30
36	226.8	218.58	20	25	25	85	524.5	515.55	30	30	30
37	232.9	224.64	20	25	25	90	554.8	545.86	30	30	30
38	239.0	230.69	20	25	25	95	585.1	576.17	30	30	30
39	245.1	236.75	20	25	25	100	615.4	606.47	30	30	30
40	251.3	242.81	20	25	25	110	676.1	667.11	30	30	30
41	257.3	248.87	25	25	25	114	700.6	691.36	30	30	30
42	264.5	254.93	25	25	25	120	736.7	727.74	30	30	30
43	270.5	260.98	25	25	25	125	767.0	758.05	30	30	30

12A

3/4" x 7/16"
For Roller Chains DIN8187 ISO/R 606



PLATEWHEEL

Tooth radius	r ₃	19
Radius width	C	2.0
Tooth width	B ₁	11.1
Tooth width	b ₁	10.8
Tooth width	B ₂	30.3
Tooth width	B ₃	49.8

CHAIN

Pitch	19.05
Inner width	11.68
Roller diameter	12.07

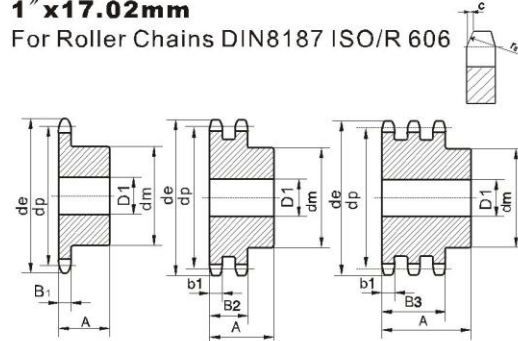
Sprockets & Platewheels

Z	d _e	d _p	Simplex			Doublex			Triplex		
			d _m	D ₁	A	d _m	D ₁	A	d _m	D ₁	A
8	77.0	66.37	42	16	35	42	16	65	42	20	95
9	85.0	74.27	50	16	35	50	16	65	50	20	95
10	93.0	82.19	55	16	35	56	16	65	56	20	95
11	99.5	90.14	61	16	40	64	20	70	64	25	100
12	109.0	98.14	69	16	40	72	20	70	72	25	100
13	117.0	106.12	78	16	40	80	20	70	80	25	100
14	125.0	114.15	84	16	40	88	20	70	88	25	100
15	133.0	122.17	92	16	40	96	20	70	96	25	100
16	141.0	130.20	100	20	45	104	20	70	104	30	100
17	149.0	138.22	100	20	45	112	20	70	112	30	100
18	157.0	146.28	100	20	45	120	20	70	120	30	100
19	165.2	154.33	100	20	45	128	20	70	128	30	100
20	173.2	162.38	100	20	45	130	20	70	130	30	100
21	181.2	170.43	110	20	50	130	25	70	*130	30	100
22	189.3	178.48	110	20	50	*130	25	70	*130	30	100
23	197.5	186.53	110	20	50	*130	25	70	*130	30	100
24	205.5	194.59	110	20	50	*130	25	70	*130	30	100
25	213.5	202.66	110	20	50	*130	25	70	*130	30	100
26	221.6	210.72	120	20	50	*130	25	70	*130	30	100
27	229.6	218.79	120	20	50	*130	25	70	*130	30	100
28	237.7	226.85	120	20	50	*130	25	70	*130	30	100
29	245.8	234.92	120	20	50	*130	25	70	*130	30	100
30	254.0	243.00	120	20	50	*130	25	70	*130	30	100
31	262.0	251.08	*120	25	50	*140	25	70	*140	30	100
32	270.0	259.13	*120	25	50	*140	25	70	*140	30	100
33	278.5	267.21	*120	25	50	*140	25	70	*140	30	100
34	287.0	275.28	*120	25	50	*140	25	70	*140	30	100
35	296.2	283.36	*120	25	50	*140	25	70	*140	30	100
36	304.6	291.44	*120	25	50	*140	25	70	*140	30	100
37	312.6	299.51	*120	25	50	*140	25	70	*140	30	100
38	320.7	307.59	*120	25	50	*140	25	70	*140	30	100
39	328.8	315.67	*120	25	50	*140	25	70	*140	30	100
40	336.9	323.75	*120	25	50	*140	25	70	*140	30	100

16B

1" x 17.02mm

For Roller Chains DIN8187 ISO/R 606



SPROCKET

Tooth radius	r ₃	26
Radius width	C	2.5
Tooth width	B ₁	16.2
Tooth width	b ₁	15.8
Tooth width	B ₂	47.7
Tooth width	B ₃	79.6

CHAIN

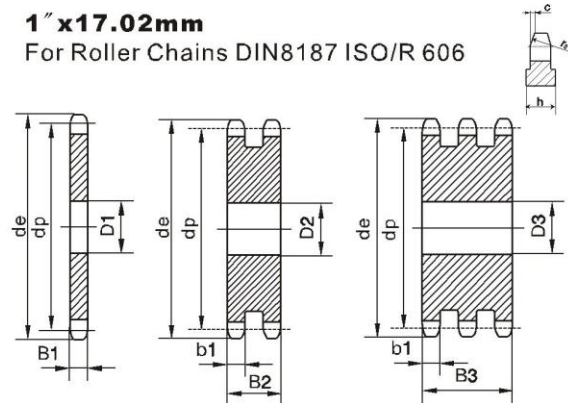
Pitch	25.4
Inner width	17.02
Roller diameter	15.88

Z	d _e	d _p	S _p			D _p			T _p		
			D ₁	D ₂	D ₃	Z	d _e	d _p	D ₁	D ₂	D ₃
8	77.0	66.37	14	16	20	44	369.1	356.06	25	25	30
9	85.0	74.27	14	16	20	45	377.1	364.13	25	25	30
10	93.0	82.19	15	16	20	46	385.2	372.21	25	30	30
11	99.5	90.14	15	20	25	47	393.2	380.29	25	30	30
12	109.0	98.14	15	20	25	48	401.3	388.36	25	30	30
13	117.0	106.12	15	20	25	49	409.3	396.44	25	30	30
14	125.0	114.15	15	20	25	50	417.4	404.52	25	30	30
15	133.0	122.17	15	20	25	51	425.5	412.60	30	30	40
16	141.0	130.20	19	20	30	52	433.6	420.67	30	30	40
17	149.0	138.22	19	20	30	53	441.7	428.75	30	30	40
18	157.0	146.28	19	20	30	54	448.3	436.85	30	30	40
19	165.2	154.33	19	20	30	55	457.9	444.93	30	30	40
20	173.0	162.38	19	20	30	56	466.0	453.01	30	30	40
21	181.2	170.43	20	25	30	57	474.0	461.07	30	30	40
22	189.3	178.48	20	25	30	58	482.1	469.16	30	30	40
23	197.5	186.53	20	25	30	59	490.2	477.24	30	30	40
24	205.5	194.59	20	25	30	60	498.3	485.32	30	30	40
25	213.5	202.66	20	25	30	62	514.5	501.50	30	30	40
26	221.6	210.72	20	25	30	64	530.7	517.65	30	30	40
27	229.6	218.79	20	25	30	65	538.8	525.73	30	30	40
28	237.7	226.85	20	25	30	66	546.8	533.80	30	30	40
29	245.8	234.92	20	25	30	68	562.9	549.98	30	30	40
30	254.0	243.00	20	25	30	70	579.2	566.14	30	30	40
31	262.0	251.08	25	25	30	72	595.4	582.32	30	30	40
32	270.0	259.13	25	25	30	75	619.7	606.55	30	30	40
33	278.5	267.21	25	25	30	76	627.0	614.65	30	30	40
34	287.0	275.28	25	25	30	78	643.3	630.80	30	30	40
35	296.2	283.36	25	25	30	80	660.0	646.96	30	30	40
36	304.6	291.44	25	25	30	85	699.9	687.40	30	30	40
37	312.6	299.51	25	25	30	90	740.3	727.81	30	30	40
38	320.7	307.59	25	25	30	95	781.1	768.22	30	30	40
39	328.8	315.67	25	25	30	100	821.1	808.63	30	30	40
40	336.9	323.75	25	25	30	110	902.0	889.48	30	30	40
41	345.0	331.82	25	25	30	114	934.3	921.81	30	40	40
42	353.0	339.90	25	25	30	120	982.8	970.33	30	40	40
43	361.1	347.98	25	25	30	125	1023.2	1010.73	30	40	40

16A

1" x 17.02mm

For Roller Chains DIN8187 ISO/R 606



PLATEWHEEL

Tooth radius	r ₃	26
Radius width	C	2.5
Tooth width	B ₁	16.2
Tooth width	b ₁	15.8
Tooth width	B ₂	47.7
Tooth width	B ₃	79.6

CHAIN

Pitch	25.4
Inner width	17.02
Roller diameter	15.88