

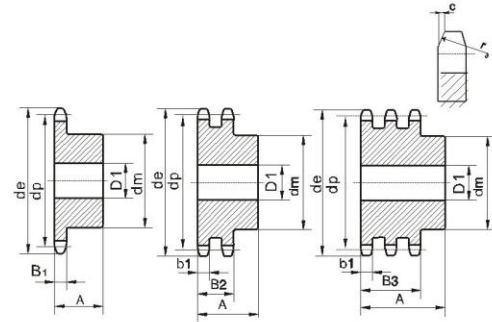
Sprockets & Platewheels

Z	d _e	d _p	Simplex			Doublex			Triplex		
			d _m	D ₁	A	d _m	D ₁	A	d _m	D ₁	A
8	28.0	24.89	15	6	22	15	6	22	15	6	32
9	31.0	27.85	18	8	22	18	8	22	18	8	32
10	34.0	30.82	20	8	22	20	8	22	20	10	32
11	37.0	33.80	22	8	25	22	10	25	22	10	35
12	40.0	36.80	25	8	25	25	10	25	25	10	35
13	43.0	39.79	28	10	25	28	10	25	28	10	35
14	46.3	42.80	31	10	25	31	10	25	31	12	35
15	49.3	45.81	34	10	25	34	10	25	34	12	35
16	52.3	48.82	37	10	28	37	12	30	37	12	35
17	55.3	51.83	40	10	28	40	12	30	40	12	35
18	58.3	54.85	43	10	28	43	12	30	43	12	35
19	61.3	57.87	45	10	28	46	12	30	46	12	35
20	64.3	60.89	46	10	28	49	12	30	49	12	35
21	68.0	63.91	48	12	28	52	12	30	52	14	40
22	71.0	66.93	50	12	28	55	12	30	55	14	40
23	73.5	69.95	52	12	28	58	12	30	58	14	40
24	77.0	72.97	54	12	28	61	12	30	61	14	40
25	80.0	76.00	57	12	28	64	12	30	64	14	40
26	83.0	79.02	60	12	28	67	12	30	67	14	40
27	86.0	82.05	60	12	28	70	12	30	70	14	40
28	89.0	85.07	60	12	28	73	12	30	73	14	40
29	92.0	88.09	60	12	28	76	12	30	76	14	40
30	94.7	91.12	60	12	30	79	12	30	79	14	40
31	98.3	94.15	65	14	30	80	16	30	80	16	40
32	101.3	97.17	65	14	30	80	16	30	80	16	40
33	104.3	100.20	65	14	30	80	16	30	80	16	40
34	107.3	103.23	65	14	30	80	16	30	85	16	40
35	110.4	106.26	65	14	30	80	16	30	85	16	40
36	113.4	109.29	70	16	30	90	16	30	90	16	40
37	116.4	112.32	70	16	30	90	16	30	90	16	40
38	119.5	115.35	70	16	30	90	16	30	90	16	40
39	122.5	118.37	70	16	30	90	16	30	90	16	40
40	125.5	121.40	70	16	30	90	16	30	90	16	40

06B

3/8" x 7/32"

For Roller Chains DIN8187 ISO/R 606



SPROCKET

		mm
Tooth radius	r ₃	10
Radius width	C	1.0
Tooth width	B ₁	5.3
Tooth width	b ₁	5.2
Tooth width	B ₂	15.4
Tooth width	B ₃	25.6

CHAIN

	mm
Pitch	9.525
Inner width	5.72
Roller diameter	6.35

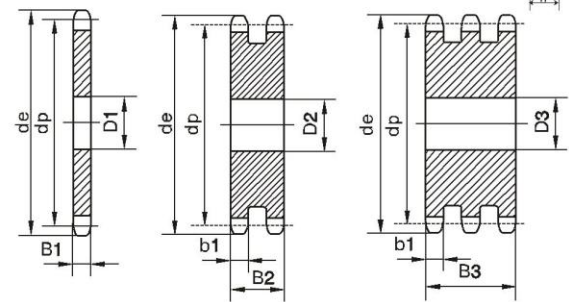
Z	d _e	d _p	S _p D _p T _p			Z	d _e	d _p	S _p D _p T _p		
			D ₁	D ₂	D ₃				D ₁	D ₂	D ₃
8	28.0	24.89	6	6	6	44	137.6	133.52	16	16	16
9	31.0	27.85	7	8	8	45	140.7	136.55	16	16	16
10	34.0	30.82	7	8	10	46	143.7	139.58	16	16	16
11	37.0	33.80	8	10	10	47	146.7	142.61	16	16	16
12	40.0	36.80	8	10	10	48	149.7	145.64	16	16	16
13	43.0	39.79	8	10	10	49	152.7	148.66	16	16	16
14	46.3	42.80	8	10	12	50	155.7	151.69	16	16	16
15	49.3	45.81	8	10	12	51	158.7	154.72	16	16	20
16	52.3	48.82	10	12	12	52	161.8	157.75	16	16	20
17	55.3	51.83	10	12	12	53	164.8	160.78	16	16	20
18	58.3	54.85	10	12	12	54	167.8	163.82	16	16	20
19	61.3	57.87	10	12	12	55	170.8	166.85	16	16	20
20	64.3	60.89	10	12	12	56	173.8	169.88	16	16	20
21	68.0	63.91	10	12	14	57	176.9	172.91	16	16	20
22	71.0	66.93	10	12	14	58	179.9	175.93	16	16	20
23	73.5	69.95	10	12	14	59	183.0	178.96	16	16	20
24	77.0	72.97	10	12	14	60	186.0	181.99	16	16	20
25	80.0	76.02	10	12	14	62	192.1	188.06	20	20	20
26	83.0	79.02	10	12	14	64	198.2	194.12	20	20	20
27	86.0	82.02	10	12	14	65	201.6	197.15	20	20	20
28	89.0	85.07	10	12	14	66	204.6	200.18	20	20	25
29	92.0	88.09	10	12	14	68	210.7	206.24	20	20	25
30	94.7	91.12	10	12	14	70	216.7	212.3	20	20	25
31	98.3	94.15	12	14	16	72	222.8	218.37	20	20	25
32	101.3	97.17	12	14	16	75	231.9	227.46	20	20	25
33	104.3	100.20	12	14	16	76	234.9	230.49	20	20	25
34	107.3	103.23	12	14	16	78	241.0	236.55	20	20	25
35	110.4	106.26	12	14	16	80	247.1	242.61	20	20	25
36	113.4	109.29	12	14	16	85	262.2	257.77	20	20	25
37	116.4	112.32	12	14	16	90	277.4	272.93	20	20	25
38	119.5	115.35	12	14	16	95	292.5	288.08	20	20	25
39	122.5	118.37	12	14	16	100	307.7	303.25	20	20	25
40	125.5	121.40	12	14	16	110	338.0	333.55	20	20	25
41	128.5	124.43	16	16	16	114	349.5	345.68	20	20	25
42	131.6	127.46	16	16	16	120	368.3	363.86	20	20	25
43	134.6	130.49	16	16	16	125	383.5	379.02	20	20	25

06A

3/8" x 7/32"

For Roller Chains DIN8187 ISO/R 606

The plate can be increased from 2.10mm to 7mm



PLATEWHEEL

		mm
Tooth radius	r ₃	10
Radius width	C	1.0
Tooth width	B ₁	5.3
Tooth width	b ₁	5.2
Tooth width	B ₂	15.4
Tooth width	B ₃	25.6

CHAIN

	mm
Pitch	9.525
Inner width	5.72
Roller diameter	6.35

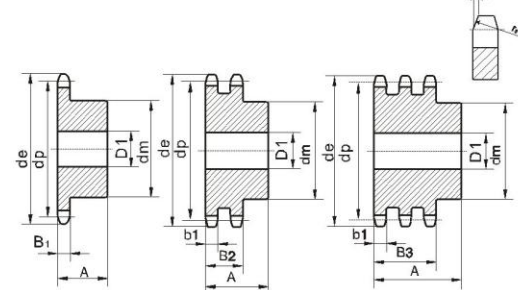
Sprockets & Platewheels

Z	d _e	d _p	Simplex			Doublex			Triplex		
			d _m	D ₁	A	d _m	D ₁	A	d _m	D ₁	A
8	37.2	33.18	20	10	25	20	10	32	20	10	46
9	41.0	37.13	24	10	25	24	10	32	24	12	46
10	45.2	41.10	26	10	25	28	10	32	28	12	46
11	48.7	45.07	29	10	25	32	12	35	32	14	50
12	53.0	49.07	33	10	28	35	12	35	35	14	50
13	57.4	53.06	37	10	28	38	12	35	38	14	50
14	61.8	57.07	41	10	28	42	12	35	42	14	50
15	65.5	61.09	45	10	28	46	12	35	46	14	50
16	69.5	65.10	50	12	28	50	14	35	50	16	50
17	73.6	69.11	52	12	28	54	14	35	54	16	50
18	77.8	73.14	56	12	28	58	14	35	58	16	50
19	81.7	77.16	60	12	28	62	14	35	62	16	50
20	85.8	81.19	64	12	28	66	14	35	66	16	50
21	89.7	85.22	68	12	28	70	16	40	70	20	55
22	93.8	89.24	70	12	28	70	16	40	70	20	55
23	98.2	93.27	70	14	28	70	16	40	70	20	55
24	101.8	97.29	70	14	28	75	16	40	75	20	55
25	105.8	101.33	70	14	28	80	16	40	80	20	55
26	110.0	105.36	70	16	30	85	20	40	85	20	55
27	114.0	109.40	70	16	30	85	20	40	85	20	55
28	118.0	113.42	70	16	30	90	20	40	90	20	55
29	122.0	117.46	80	16	30	95	20	40	95	20	55
30	126.1	121.50	80	16	30	100	20	40	100	20	55
31	130.2	125.54	90	16	30	100	20	40	110	20	55
32	134.3	129.56	90	16	30	100	20	40	110	20	55
33	138.4	133.60	90	16	30	100	20	40	110	20	55
34	142.6	137.64	90	16	30	100	20	40	110	20	55
35	146.7	141.68	90	16	30	100	20	40	110	20	55
36	151.0	145.72	90	16	35	110	20	40	120	25	55
37	154.6	149.76	90	16	35	110	20	40	120	25	55
38	158.6	153.80	90	16	35	110	20	40	120	25	55
39	162.7	157.83	90	16	35	110	20	40	120	25	55
40	166.8	161.87	90	16	35	110	20	40	120	25	55

08B

1/2" x 5/16"

For Roller Chains DIN8187 ISO/R 606



SPROCKET

		mm
Tooth radius	r ₃	13
Radius width	C	1.3
Tooth width	B ₁	7.2
Tooth width	b ₁	7.0
Tooth width	B ₂	21
Tooth width	B ₃	34.9

CHAIN

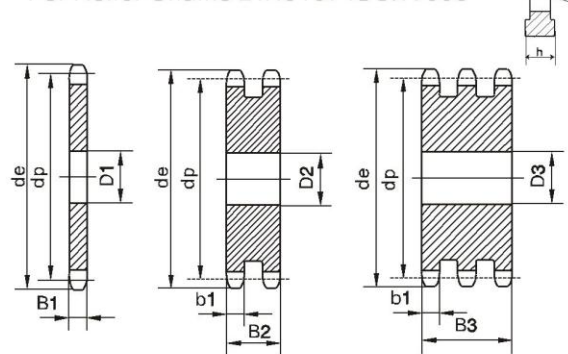
		mm
Pitch		12.7
Inner width		7.75
Roller diameter		8.51

Z	d _e	d _p	Simplex			Z	d _e	d _p	Simplex		
			D ₁	D ₂	D ₃				D ₁	D ₂	D ₃
8	37.2	33.18	8	10	10	44	183.8	178.03	20	20	25
9	41.0	37.13	8	10	12	45	188.0	182.07	20	20	25
10	45.2	41.10	8	10	12	46	192.1	186.10	20	20	25
11	48.7	45.07	10	12	14	47	198.2	190.14	20	20	25
12	53.0	49.07	10	12	14	48	200.3	194.18	20	20	25
13	57.4	53.06	10	12	14	49	204.3	198.22	20	20	25
14	61.8	57.07	10	12	14	50	208.3	202.26	20	20	25
15	65.5	61.09	10	12	14	51	212.1	206.30	20	25	25
16	69.5	65.10	10	14	16	52	216.1	210.34	20	25	25
17	73.6	69.11	10	14	16	53	220.2	214.37	20	25	25
18	77.8	73.14	10	14	16	54	224.1	218.43	20	25	25
19	81.7	77.16	10	14	16	55	228.1	222.46	20	25	25
20	85.8	81.19	10	14	16	56	232.2	226.50	20	25	25
21	89.7	85.22	12	16	20	57	236.4	230.54	20	25	25
22	93.8	89.24	12	16	20	58	240.5	234.58	20	25	25
23	98.2	93.27	12	16	20	59	244.5	238.62	20	25	25
24	101.8	97.29	12	16	20	60	248.6	242.66	20	25	25
25	105.8	101.33	12	16	20	62	256.9	250.75	25	25	25
26	110.0	105.36	16	16	20	64	265.1	258.82	25	25	25
27	114.0	109.40	16	16	20	65	269.0	262.86	25	25	25
28	118.0	113.42	16	16	20	66	273.0	266.90	25	25	25
29	122.0	117.46	16	16	20	68	281.0	274.99	25	25	25
30	126.1	121.50	16	16	20	70	289.0	283.07	25	25	25
31	130.2	125.54	16	16	20	72	297.2	291.16	25	25	25
32	134.3	129.56	16	16	20	75	309.2	303.27	25	25	25
33	138.4	133.60	16	16	20	76	313.3	307.33	25	25	25
34	142.6	137.64	16	16	20	78	321.4	315.40	25	25	25
35	146.7	141.68	16	16	20	80	329.4	323.48	25	25	25
36	151.0	145.72	16	20	25	85	349.0	343.70	25	25	25
37	154.6	149.76	16	20	25	90	369.9	363.90	25	25	25
38	158.6	153.80	16	20	25	95	390.1	384.11	25	25	25
39	162.7	157.83	16	20	25	100	410.3	404.32	25	25	25
40	166.8	161.87	16	20	25	110	450.7	444.74	25	25	25
41	171.4	165.91	20	20	25	114	466.9	460.90	25	25	25
42	175.4	169.95	20	20	25	120	491.2	485.16	25	25	25
43	179.7	173.99	20	20	25	125	511.3	505.37	25	25	25

08A

1/2" x 5/16"

For Roller Chains DIN8187 ISO/R 606



PLATEWHEEL

		mm
Tooth radius	r ₃	13
Radius width	C	1.3
Tooth width	B ₁	7.2
Tooth width	b ₁	7.0
Tooth width	B ₂	21
Tooth width	B ₃	34.9

CHAIN

		mm
Pitch		12.7
Inner width		7.75
Roller diameter		8.51

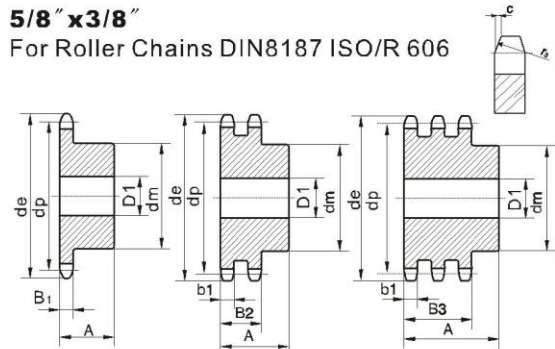
Sprockets & Platewheels

Z	Simplex			Doublex			Triplex				
	d _c	d _p	A	d _m	D ₁	A	d _m	D ₁	A		
8	47.0	41.48	25	10	25	25	12	40	25	12	55
9	52.6	46.42	30	10	25	30	12	40	30	12	55
10	57.5	51.37	35	10	25	35	12	40	35	16	55
11	63.0	56.34	37	12	30	39	14	40	39	16	55
12	68.0	61.34	42	12	30	44	14	40	44	16	55
13	73.0	66.32	47	12	30	49	14	40	49	16	55
14	78.0	71.34	52	12	30	54	14	40	54	16	55
15	83.0	76.36	57	12	30	59	14	40	59	16	55
16	88.0	81.37	60	12	30	64	16	45	64	16	60
17	93.0	86.39	60	12	30	69	16	45	69	16	60
18	98.3	91.42	70	14	30	74	16	45	74	16	60
19	103.3	96.45	70	14	30	79	16	45	79	16	60
20	108.4	101.49	75	14	30	84	16	45	84	16	60
21	113.4	106.52	75	16	30	85	16	45	85	20	60
22	118.0	111.55	80	16	30	90	16	45	90	20	60
23	123.4	116.58	80	16	30	95	16	45	95	20	60
24	128.3	121.62	80	16	30	100	16	45	100	20	60
25	134.0	126.66	80	16	30	105	16	45	105	20	60
26	139.0	131.70	85	20	35	110	20	45	110	20	60
27	144.0	136.75	85	20	35	110	20	45	110	20	60
28	148.7	141.78	90	20	35	115	20	45	115	20	60
29	153.8	146.83	90	20	35	115	20	45	115	20	60
30	158.8	151.87	90	20	35	120	20	45	120	20	60
31	163.9	156.92	95	20	35	120	20	45	120	20	60
32	168.9	161.95	95	20	35	120	20	45	120	20	60
33	174.5	167.00	95	20	35	120	20	45	120	20	60
34	179.0	172.05	95	20	35	120	20	45	120	20	60
35	184.1	177.10	95	20	35	120	20	45	120	20	60
36	189.1	182.15	100	20	35	120	20	45	120	25	60
37	194.2	187.20	100	20	35	120	20	45	120	25	60
38	199.2	192.24	100	20	35	120	20	45	120	25	60
39	204.2	197.29	100	20	35	120	20	45	120	25	60
40	209.3	202.34	100	20	35	120	20	45	120	25	60

10B

5/8" x 3/8"

For Roller Chains DIN8187 ISO/R 606



SPROCKET

Tooth radius	r ₃	16
Radius width	C	1.6
Tooth width	B ₁	9.1
Tooth width	b ₁	9.0
Tooth width	B ₂	25.5
Tooth width	B ₃	42.1

mm

CHAIN

Pitch	15.875
Inner width	9.65
Roller diameter	10.16

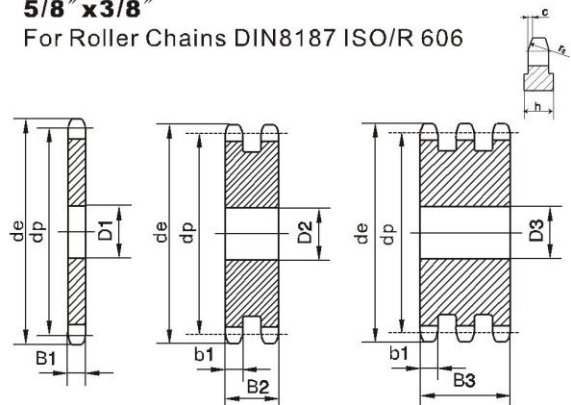
mm

Z	S _P			D _P			T _P				
	d _c	d _p	A	D ₁	D ₂	D ₃	Z	d _c	d _p	D ₁	D ₂
8	47.0	41.48	10	12	12	44	230.0	222.53	20	20	25
9	52.6	46.42	10	12	12	45	235.0	227.58	20	20	25
10	57.5	51.37	10	12	16	46	240.1	232.63	20	25	25
11	63.0	56.34	10	14	16	47	245.1	237.68	20	25	25
12	68.0	61.34	10	14	16	48	250.2	242.73	20	25	25
13	73.0	66.32	10	14	16	49	255.2	247.78	20	25	25
14	78.0	71.34	10	14	16	50	260.3	252.82	20	25	25
15	83.0	76.36	10	14	16	51	265.3	257.87	20	25	25
16	88.0	81.37	12	16	16	52	270.4	262.92	20	25	25
17	93.0	86.38	12	16	16	53	275.4	267.97	20	25	25
18	98.3	91.42	12	16	16	54	280.5	273.03	20	25	25
19	103.3	96.45	12	16	16	55	285.5	278.08	20	25	25
20	108.4	101.49	12	16	16	56	290.6	283.13	25	25	25
21	113.4	106.52	12	16	20	57	296.0	288.18	25	25	25
22	118.0	111.55	12	16	20	58	300.7	293.23	25	25	25
23	123.5	116.58	12	16	20	59	305.7	298.27	25	25	25
24	128.3	121.62	12	16	20	60	310.8	303.32	25	25	25
25	134.0	126.66	12	16	20	62	321.4	313.43	25	25	30
26	139.0	131.70	16	16	20	64	331.5	323.53	25	25	30
27	144.0	136.75	16	16	20	65	336.5	328.58	25	25	30
28	148.7	141.78	16	16	20	66	341.6	333.63	25	25	30
29	153.8	146.83	16	16	20	68	351.7	343.74	25	25	30
30	158.8	151.87	16	16	20	70	361.8	353.84	25	25	30
31	163.9	156.92	16	20	20	72	371.9	363.95	25	25	30
32	168.9	161.95	16	20	20	75	387.1	379.09	25	25	30
33	174.5	167.00	16	20	20	76	392.1	384.16	25	25	30
34	179.0	172.05	16	20	20	78	402.2	394.25	25	25	30
35	184.1	177.10	16	20	20	80	412.3	404.35	25	30	30
36	189.1	182.15	20	20	25	85	437.6	429.62	30	30	30
37	194.2	187.20	20	20	25	90	462.8	454.88	30	30	30
38	199.2	192.24	20	20	25	95	488.5	480.14	30	30	30
39	204.2	197.29	20	20	25	100	513.4	505.39	30	30	30
40	209.3	202.34	20	20	25	110	563.9	555.92	30	30	30
41	214.8	207.39	20	20	25	114	584.1	576.13	30	30	30
42	219.9	212.44	20	20	25	120	614.4	606.45	30	30	30
43	224.9	217.49	20	20	25	125	639.7	631.51	30	30	30

10A

5/8" x 3/8"

For Roller Chains DIN8187 ISO/R 606



PLATEWHEEL

Tooth radius	r ₃	16
Radius width	C	1.6
Tooth width	B ₁	9.1
Tooth width	b ₁	9.0
Tooth width	B ₂	25.5
Tooth width	B ₃	42.1

mm

CHAIN

Pitch	15.875
Inner width	9.65
Roller diameter	10.16

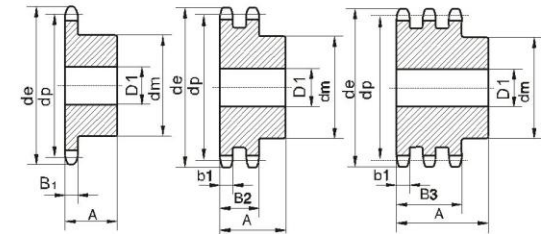
mm

Sprockets & Platewheels

Z	Simplex			Doublex			Triplex				
	d _e	d _p	A	d _m	D ₁	A	d _m	D ₁	A		
8	57.6	49.78	31	12	30	31	12	45	31	16	65
9	62.0	55.70	37	12	30	37	12	45	37	16	65
10	69.0	61.64	42	12	30	42	12	45	42	16	65
11	75.0	67.61	46	14	35	47	16	50	47	20	70
12	81.5	73.61	52	14	35	53	16	50	53	20	70
13	87.5	79.59	58	14	35	59	16	50	59	20	70
14	93.6	85.61	64	14	35	65	16	50	65	20	70
15	99.8	91.63	70	14	35	71	16	50	71	20	70
16	105.5	97.65	75	16	35	77	20	50	77	20	70
17	111.5	103.67	80	16	35	83	20	50	83	20	70
18	118.0	109.71	80	16	35	89	20	50	89	20	70
19	124.2	115.75	80	16	35	95	20	50	95	20	70
20	129.7	121.78	80	16	35	100	20	50	100	20	70
21	136.0	127.82	90	20	40	100	20	50	100	20	70
22	141.8	133.86	90	20	40	100	20	50	100	20	70
23	149.0	139.9	90	20	40	110	20	50	110	20	70
24	153.9	145.94	90	20	40	110	20	50	110	20	70
25	160.0	152.00	90	20	40	120	20	50	120	20	70
26	165.9	158.04	95	20	40	120	20	50	120	20	70
27	172.3	164.09	95	20	40	120	20	50	120	20	70
28	178.0	170.13	95	20	40	120	20	50	120	20	70
29	184.1	176.19	95	20	40	120	20	50	120	20	70
30	190.5	182.25	95	20	40	120	20	50	120	20	70
31	196.3	188.31	100	20	40	130	20	50	130	25	70
32	203.3	194.35	100	20	40	130	20	50	130	25	70
33	209.3	200.40	100	20	40	130	20	50	130	25	70
34	214.6	206.46	100	20	40	130	20	50	130	25	70
35	221.0	212.52	100	20	40	130	20	50	130	25	70
36	226.8	218.58	100	20	40	130	25	50	130	25	70
37	232.9	224.64	100	20	40	130	25	50	130	25	70
38	239.0	230.69	100	20	40	130	25	50	130	25	70
39	245.1	236.75	100	20	40	130	25	50	130	25	70
40	251.3	242.81	100	20	40	130	25	50	130	25	70

12B

3/4" x 7/16"
For Roller Chains DIN8187 ISO/R 606



SPROCKET

Tooth radius	r ₃	19
Radius width	C	2.0
Tooth width	B ₁	11.1
Tooth width	b ₁	10.8
Tooth width	B ₂	30.3
Tooth width	B ₃	49.8

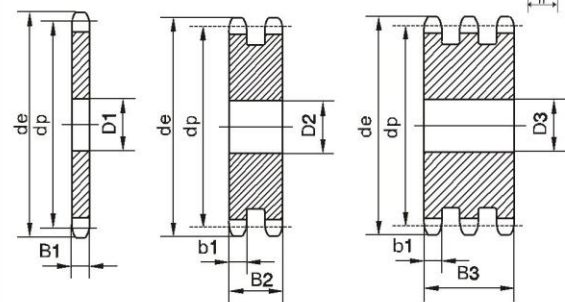
CHAIN

Pitch	19.05
Inner width	11.68
Roller diameter	12.07

Z	S _P			D _P			T _P				
	d _e	d _p	A	D ₁	D ₂	D ₃	Z	d _e	d _p		
8	57.6	49.78	12	12	16	44	276.5	267.04	25	25	25
9	62.0	55.70	12	12	16	45	282.5	273.10	25	25	25
10	69.0	61.64	12	12	16	46	287.9	279.16	25	25	25
11	75.0	67.61	14	16	20	47	294.0	285.21	25	25	25
12	81.5	73.61	14	16	20	48	300.1	291.27	25	25	25
13	87.5	79.59	14	16	20	49	306.2	297.33	25	25	25
14	93.6	85.61	14	16	20	50	312.3	303.39	25	25	25
15	99.8	91.63	14	16	20	51	318.4	309.45	25	25	25
16	105.5	97.65	14	20	20	52	324.5	315.50	25	25	25
17	111.5	103.67	14	20	20	53	330.5	321.56	25	25	25
18	118.0	109.71	14	20	20	54	336.6	327.62	25	25	25
19	124.2	115.75	14	20	20	55	342.7	333.70	25	25	25
20	129.7	121.78	14	20	20	56	348.7	339.75	25	25	30
21	136.0	127.82	16	20	20	57	355.4	345.81	25	25	30
22	141.8	133.86	16	20	20	58	361.5	351.87	25	25	30
23	149.0	139.90	16	20	20	59	367.5	357.93	25	25	30
24	153.9	145.94	16	20	20	60	373.0	363.99	25	25	30
25	160.0	152.00	16	20	20	62	385.1	376.12	25	30	30
26	165.9	158.04	16	20	20	64	397.2	388.24	25	30	30
27	172.3	164.09	16	20	20	65	403.2	394.29	25	30	30
28	178.0	170.13	16	20	20	66	409.3	400.35	30	30	30
29	184.1	176.19	16	20	20	68	421.4	412.49	30	30	30
30	190.5	182.25	16	20	20	70	433.6	424.60	30	30	30
31	196.3	188.31	20	20	25	72	447.0	436.74	30	30	30
32	203.3	194.35	20	20	25	75	463.9	454.91	30	30	30
33	209.3	200.40	20	20	25	76	469.9	460.99	30	30	30
34	214.6	206.46	20	20	25	78	482.1	473.10	30	30	30
35	221.0	212.52	20	20	25	80	494.2	485.22	30	30	30
36	226.8	218.58	20	25	25	85	524.5	515.55	30	30	30
37	232.9	224.64	20	25	25	90	554.8	545.86	30	30	30
38	239.0	230.69	20	25	25	95	585.1	576.17	30	30	30
39	245.1	236.75	20	25	25	100	615.4	606.47	30	30	30
40	251.3	242.81	20	25	25	110	676.1	667.11	30	30	30
41	257.3	248.87	25	25	25	114	700.6	691.36	30	30	30
42	264.5	254.93	25	25	25	120	736.7	727.74	30	30	30
43	270.5	260.98	25	25	25	125	767.0	758.05	30	30	30

12A

3/4" x 7/16"
For Roller Chains DIN8187 ISO/R 606



PLATEWHEEL

Tooth radius	r ₃	19
Radius width	C	2.0
Tooth width	B ₁	11.1
Tooth width	b ₁	10.8
Tooth width	B ₂	30.3
Tooth width	B ₃	49.8

CHAIN

Pitch	19.05
Inner width	11.68
Roller diameter	12.07

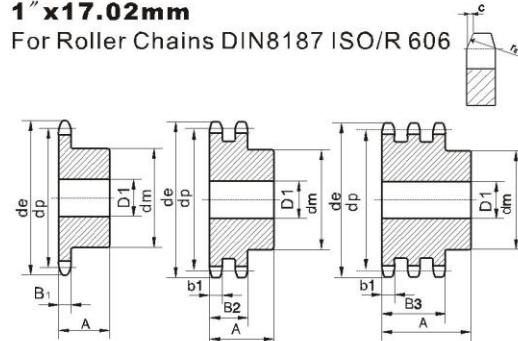
Sprockets & Platewheels

Z	d _e	d _p	Simplex			Doublex			Triplex		
			d _m	D ₁	A	d _m	D ₁	A	d _m	D ₁	A
8	77.0	66.37	42	16	35	42	16	65	42	20	95
9	85.0	74.27	50	16	35	50	16	65	50	20	95
10	93.0	82.19	55	16	35	56	16	65	56	20	95
11	99.5	90.14	61	16	40	64	20	70	64	25	100
12	109.0	98.14	69	16	40	72	20	70	72	25	100
13	117.0	106.12	78	16	40	80	20	70	80	25	100
14	125.0	114.15	84	16	40	88	20	70	88	25	100
15	133.0	122.17	92	16	40	96	20	70	96	25	100
16	141.0	130.20	100	20	45	104	20	70	104	30	100
17	149.0	138.22	100	20	45	112	20	70	112	30	100
18	157.0	146.28	100	20	45	120	20	70	120	30	100
19	165.2	154.33	100	20	45	128	20	70	128	30	100
20	173.2	162.38	100	20	45	130	20	70	130	30	100
21	181.2	170.43	110	20	50	130	25	70	*130	30	100
22	189.3	178.48	110	20	50	*130	25	70	*130	30	100
23	197.5	186.53	110	20	50	*130	25	70	*130	30	100
24	205.5	194.59	110	20	50	*130	25	70	*130	30	100
25	213.5	202.66	110	20	50	*130	25	70	*130	30	100
26	221.6	210.72	120	20	50	*130	25	70	*130	30	100
27	229.6	218.79	120	20	50	*130	25	70	*130	30	100
28	237.7	226.85	120	20	50	*130	25	70	*130	30	100
29	245.8	234.92	120	20	50	*130	25	70	*130	30	100
30	254.0	243.00	120	20	50	*130	25	70	*130	30	100
31	262.0	251.08	*120	25	50	*140	25	70	*140	30	100
32	270.0	259.13	*120	25	50	*140	25	70	*140	30	100
33	278.5	267.21	*120	25	50	*140	25	70	*140	30	100
34	287.0	275.28	*120	25	50	*140	25	70	*140	30	100
35	296.2	283.36	*120	25	50	*140	25	70	*140	30	100
36	304.6	291.44	*120	25	50	*140	25	70	*140	30	100
37	312.6	299.51	*120	25	50	*140	25	70	*140	30	100
38	320.7	307.59	*120	25	50	*140	25	70	*140	30	100
39	328.8	315.67	*120	25	50	*140	25	70	*140	30	100
40	336.9	323.75	*120	25	50	*140	25	70	*140	30	100

16B

1" x 17.02mm

For Roller Chains DIN8187 ISO/R 606



SPROCKET

Tooth radius	r ₃	26
Radius width	C	2.5
Tooth width	B ₁	16.2
Tooth width	b ₁	15.8
Tooth width	B ₂	47.7
Tooth width	B ₃	79.6

CHAIN

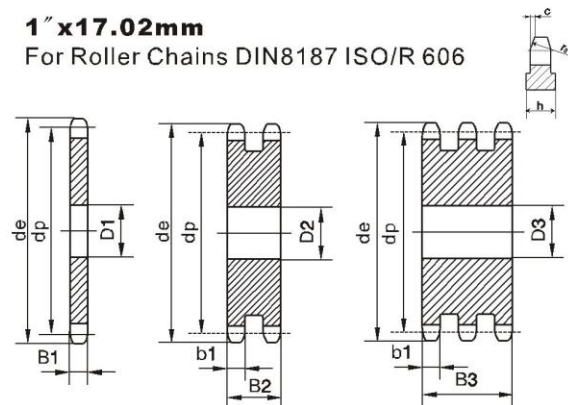
Pitch	25.4
Inner width	17.02
Roller diameter	15.88

Z	d _e	d _p	S _p			D _p			T _p		
			D ₁	D ₂	D ₃	Z	d _e	d _p	D ₁	D ₂	D ₃
8	77.0	66.37	14	16	20	44	369.1	356.06	25	25	30
9	85.0	74.27	14	16	20	45	377.1	364.13	25	25	30
10	93.0	82.19	15	16	20	46	385.2	372.21	25	30	30
11	99.5	90.14	15	20	25	47	393.2	380.29	25	30	30
12	109.0	98.14	15	20	25	48	401.3	388.36	25	30	30
13	117.0	106.12	15	20	25	49	409.3	396.44	25	30	30
14	125.0	114.15	15	20	25	50	417.4	404.52	25	30	30
15	133.0	122.17	15	20	25	51	425.5	412.60	30	30	40
16	141.0	130.20	19	20	30	52	433.6	420.67	30	30	40
17	149.0	138.22	19	20	30	53	441.7	428.75	30	30	40
18	157.0	146.28	19	20	30	54	449.8	436.83	30	30	40
19	165.2	154.33	19	20	30	55	457.9	444.93	30	30	40
20	173.2	162.38	19	20	30	56	466.0	453.01	30	30	40
21	181.2	170.43	20	25	30	57	474.0	461.07	30	30	40
22	189.3	178.48	20	25	30	58	482.1	469.16	30	30	40
23	197.5	186.53	20	25	30	59	490.2	477.24	30	30	40
24	205.5	194.59	20	25	30	60	498.3	485.32	30	30	40
25	213.5	202.66	20	25	30	62	514.5	501.50	30	30	40
26	221.6	210.72	20	25	30	64	530.7	517.65	30	30	40
27	229.6	218.79	20	25	30	65	538.8	525.73	30	30	40
28	237.7	226.85	20	25	30	66	546.8	533.80	30	30	40
29	245.8	234.92	20	25	30	68	562.9	549.98	30	30	40
30	254.0	243.00	20	25	30	70	579.2	566.14	30	30	40
31	262.0	251.08	25	25	30	72	595.4	582.32	30	30	40
32	270.0	259.13	25	25	30	75	619.7	606.55	30	30	40
33	278.5	267.21	25	25	30	76	627.0	614.65	30	30	40
34	287.0	275.28	25	25	30	78	643.3	630.80	30	30	40
35	296.2	283.36	25	25	30	80	660.0	646.96	30	30	40
36	304.6	291.44	25	25	30	85	699.9	687.40	30	30	40
37	312.6	299.51	25	25	30	90	740.3	727.81	30	30	40
38	320.7	307.59	25	25	30	95	781.1	768.22	30	30	40
39	328.8	315.67	25	25	30	100	821.1	808.63	30	30	40
40	336.9	323.75	25	25	30	110	902.0	889.48	30	30	40
41	345.0	331.82	25	25	30	114	934.3	921.81	30	40	40
42	353.0	339.90	25	25	30	120	982.8	970.33	30	40	40
43	361.1	347.98	25	25	30	125	1023.2	1010.73	30	40	40

16A

1" x 17.02mm

For Roller Chains DIN8187 ISO/R 606



PLATEWHEEL

Tooth radius	r ₃	26
Radius width	C	2.5
Tooth width	B ₁	16.2
Tooth width	b ₁	15.8
Tooth width	B ₂	47.7
Tooth width	B ₃	79.6

CHAIN

Pitch	25.4
Inner width	17.02
Roller diameter	15.88

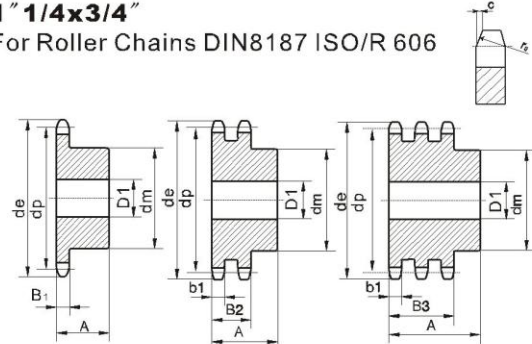
Sprockets & Platewheels

Z	d _e	d _p	Simplex			Doublex			Triplex		
			d _m	D ₁	A	d _m	D ₁	A	d	m	D ₁
8	98.1	82.96	53	20	40	53	20	75	53	20	110
9	108.0	92.84	63	20	40	63	20	75	63	20	110
10	117.9	102.74	70	20	40	70	20	75	70	20	110
11	127.8	112.68	77	20	45	80	20	80	80	20	115
12	137.8	122.68	88	20	45	90	20	80	90	20	115
13	147.8	132.65	98	20	45	100	20	80	100	20	115
14	157.8	142.68	108	20	45	110	20	80	110	20	115
15	167.9	152.72	118	20	45	120	20	80	120	20	115
16	177.9	162.75	120	25	50	120	25	80	120	25	115
17	187.9	172.78	120	25	50	120	25	80	120	25	115
18	198.0	182.85	120	25	50	*120	25	80	*120	25	115
19	208.1	192.91	120	25	50	*120	25	80	*120	25	115
20	218.1	202.98	120	25	50	*120	25	80	*120	25	115
21	228.2	213.04	140	25	55	*140	25	80	*140	25	115
22	238.3	223.11	140	25	55	*140	25	80	*140	25	115
23	248.3	233.17	140	25	55	*140	25	80	*140	25	115
24	258.4	243.23	140	25	55	*140	25	80	*140	25	115
25	268.5	253.33	140	25	55	*140	25	80	*140	25	115
26	278.6	263.40	*150	25	55	*150	25	80	*150	25	115
27	288.6	273.49	*150	25	55	*150	25	80	*150	25	115
28	298.7	283.56	*150	25	55	*150	25	80	*150	25	115
29	308.8	293.65	*150	25	55	*150	25	80	*150	25	115
30	318.9	303.75	*150	25	55	*150	25	80	*150	25	115
31	329.0	313.85	*160	25	55	*150	25	80	*150	30	115
32	339.1	323.91	*160	25	55	*150	25	80	*150	30	115
33	349.2	334.01	*160	25	55	*150	25	80	*150	30	115
34	359.3	344.10	*160	25	55	*150	25	80	*150	30	115
35	369.4	354.20	*160	25	55	*150	25	80	*150	30	115
36	379.5	364.30	*160	25	55	*150	30	80	*150	30	115
37	389.5	374.39	*160	25	55	*150	30	80	*150	30	115
38	399.6	384.49	*160	25	55	*150	30	80	*150	30	115
39	409.7	394.59	*160	25	55	*150	30	80	*150	30	115
40	419.8	404.69	*160	25	55	*150	30	80	*150	30	115

20B

1" 1/4x3/4"

For Roller Chains DIN8187 ISO/R 606



SPROCKET

	mm
Tooth radius	r ₃ 33
Radius width	C 3.5
Tooth width	B ₁ 18.5
Tooth width	b ₁ 18.2
Tooth width	B ₂ 54.6
Tooth width	B ₃ 91

CHAIN

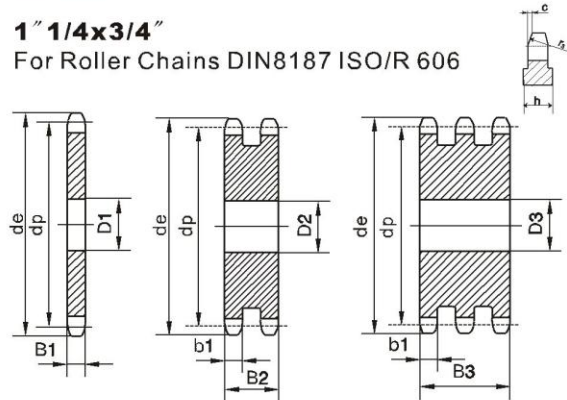
	mm
Pitch	31.75
Inner width	19.56
Roller diameter	19.05

Z	d _e	d _p	S _p			Z	d _e	d _p	S _p		
			D ₁	D ₂	T _p				D ₁	D ₂	T _p
8	98.1	82.96	16	20	20	43	450.1	434.97	30		
9	108.0	92.84	16	20	20	44	460.2	445.07	30		
10	117.9	102.74	16	20	20	45	470.3	455.17	30	30	40
11	127.8	112.68	16	20	20	46	480.4	465.26	30	30	40
12	137.8	122.68	20	20	20	47	490.5	475.36	30		
13	147.8	132.65	20	20	20	48	500.6	485.46	30	30	40
14	157.8	142.68	20	20	20	49	510.7	495.55	30		
15	167.9	152.72	20	20	20	50	520.8	505.65	30	30	40
16	177.9	162.75	25	25	25	51	530.9	515.75	30		
17	187.9	172.78	25	25	25	52	541.0	525.84	30	30	40
18	198.0	182.85	25	25	25	53	551.1	535.94	30		
19	208.1	192.91	25	25	25	54	561.2	546.07	30		
20	218.1	202.98	25	25	25	55	571.3	556.16	30	30	40
21	228.2	213.04	25	25	25	56	581.4	566.26	30		
22	238.3	223.11	25	25	25	57	591.5	576.36	30	30	40
23	248.3	233.17	25	25	25	58	601.6	586.45	30		
24	258.4	243.23	25	25	25	59	611.7	596.55	30		
25	268.5	253.33	25	25	-25	60	621.8	606.65	30	30	40
26	278.6	263.40	25	25	25	62	642.0	626.87	30		
27	288.6	273.40	25	25	25	64	662.2	647.06	30		
28	298.7	283.56	25	25	25	65	672.3	657.16	30	30	40
29	308.8	293.65	25	25	25	66	682.4	667.26	30		
30	318.9	303.75	25	25	25	68	702.6	687.48	30		
31	329.0	313.85	25	25	30	70	722.8	707.67	30	30	40
32	339.1	323.91	25	25	30	72	743.1	727.90	30		
33	349.2	334.01	25	25	30	75	773.3	758.19	30		
34	359.3	344.10	25	25	30	76	783.5	768.32	30	30	40
35	369.4	354.20	25	25	30	80	823.9	808.72	30	30	40
36	379.5	364.30	25	30	30	85	874.4	859.25	30		
37	389.5	374.39	25	30	30	90	924.9	909.76	30		
38	399.6	384.49	25	30	30	95	975.4	960.28	30	30	40
39	409.7	394.59	25	30	30	100	1026.0	1010.79	30		
40	419.8	404.68	25	30	30	114	1167.4	1152.26	30	40	40

20A

1" 1/4x3/4"

For Roller Chains DIN8187 ISO/R 606



PLATEWHEEL

	mm
Tooth radius	r ₃ 33
Radius width	C 3.5
Tooth width	B ₁ 18.5
Tooth width	b ₁ 18.2
Tooth width	B ₂ 54.6
Tooth width	B ₃ 91

CHAIN

	mm
Pitch	31.75
Inner width	19.56
Roller diameter	19.05

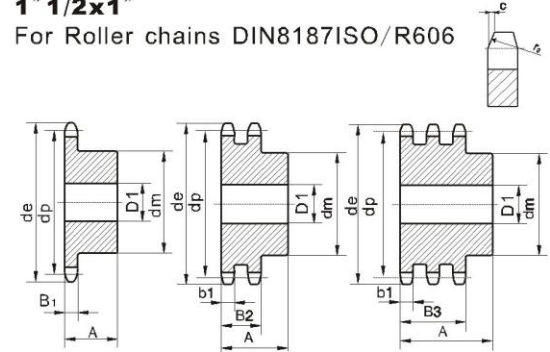
Sprockets & Platewheels

Z	d _e	d _p	Simplex			Doublex			Triplex		
			d _m	D ₁	A	d _m	D ₁	A	d _m	D ₁	A
8	115.0	99.55	58	20	45	58	25	95	58	25	140
9	126.4	111.40	70	20	45	70	25	95	70	25	140
10	138.0	123.29	80	20	45	80	25	95	80	25	140
11	150.0	135.21	90	25	50	90	25	100	90	25	150
12	162.0	147.22	102	25	50	102	25	100	102	25	150
13	174.2	159.18	114	25	50	114	25	100	114	25	150
14	186.2	171.22	128	25	50	128	25	100	128	25	150
15	198.2	183.26	140	25	50	140	25	100	140	25	150
16	210.3	195.30	*140	25	55	*140	25	100	*140	25	150
17	222.3	207.34	*140	25	55	*150	25	100	*150	25	150
18	234.3	219.42	*140	25	55	*160	25	100	*160	25	150
19	246.5	231.49	*140	25	55	*160	25	100	*160	25	150
20	258.6	243.57	*140	25	55	*160	25	100	*160	25	150
21	270.6	255.65	*150	25	60	*160	25	100	*160	30	150
22	282.7	267.73	*150	25	60	*160	25	100	*160	30	150
23	294.8	279.80	*150	25	60	*160	25	100	*160	30	150
24	306.8	291.88	*150	25	60	*160	25	100	*160	30	150
25	319.0	304.00	*150	25	60	*160	25	100	*160	30	150
26	331.0	316.08	*160	30	60	*160	30	100	*160	30	150
27	343.2	328.19	*160	30	60	*160	30	100	*160	30	150
28	355.2	340.27	*160	30	60	*160	30	100	*160	30	150
29	367.3	352.38	*160	30	60	*160	30	100	*160	30	150
30	379.5	364.50	*160	30	60	*160	30	100	*160	40	150
31	391.6	376.62	*160	30	60	*170	30	100			
32	403.7	388.69	*160	30	60	*170	30	100	*170	40	150
33	415.8	400.81	*160	30	60	*170	30	100	*170	40	150
34	427.8	412.93	*160	30	60	*170	30	100	*170	40	150
35	440.0	425.04	*160	30	60	*170	30	100	*170	40	150
36	452.0	437.16	*160	30	60	*170	30	100	*170	40	150
37	464.2	449.27	*160	30	60	*170	30	100			
38	476.2	461.39	*160	30	60	*170	30	100	*170	40	150
39	488.5	473.50	*160	30	60	*170	30	100			
40	500.6	485.62	*160	30	60	*170	30	100	*170	40	150

24B

1" 1/2x1"

For Roller chains DIN8187ISO/R606



SPROCKET

		mm
Tooth radius	r ₃	38
Radius width	C	4.0
Tooth width	B ₁	24.1
Tooth width	b ₁	23.6
Tooth width	B ₂	72
Tooth width	B ₃	120.3

CHAIN

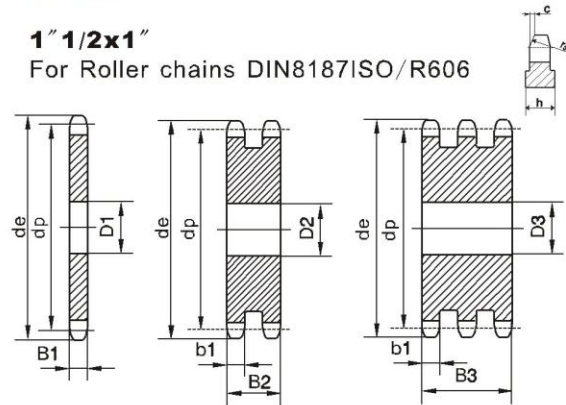
	mm
Pitch	38.1
Inner width	25.4
Roller diameter	25.4

Z	d _e	d _p	S _p			Z	d _e	d _p	S _p		
			D ₁	D ₂	T _p				D ₁	D ₂	T _p
8	115.0	99.55	20	25	25	40	500.6	485.62	30	30	40
9	126.4	111.40	20	25	25	41	512.6	497.74	30		
10	138.0	123.29	20	25	25	42	524.7	509.85	30	40	40
11	150.0	135.21	20	25	25	43	536.8	521.97	30		
12	162.0	147.22	20	25	25	44	549.0	534.08	30		
13	174.2	159.18	20	25	25	45	561.2	546.20	30	40	40
14	186.2	171.22	20	25	25	46	573.3	558.32	30	40	40
15	198.2	183.26	20	25	25	47	585.4	570.43	30		
16	210.3	195.30	25	25	25	48	597.4	582.55	30	40	40
17	222.3	207.34	25	25	25	49	609.5	594.66	30		
18	234.3	219.42	25	25	25	50	621.7	606.78	30	40	40
19	246.5	231.49	25	25	25	51	633.8	618.89	30		
20	258.6	243.57	25	25	25	52	646.0	631.01	30		
21	270.6	255.65	25	25	30	53	658.0	643.13	30		
22	282.7	267.73	25	25	30	54	670.2	655.28	30		
23	294.8	279.80	25	25	30	55	682.3	667.40	30	40	40
24	306.8	291.88	25	25	30	56	694.4	679.51	30		
25	319.0	304.00	25	25	30	57	706.5	691.63	30	40	40
26	331.0	316.08	30	30	30	58	718.6	703.74	30		
27	343.2	328.19	30	30	30	59	730.7	715.86	30		
28	355.2	340.27	30	30	30	60	742.8	727.97	30	40	40
29	367.3	352.38	30	30	30	62	767.2	752.24	40		
30	379.5	364.50	30	30	40	64	791.3	776.48	40		
31	391.6	376.62	30	30		65	803.4	788.59	40	40	40
32	403.7	388.69	30	30	40	66	815.6	800.71	40		
33	415.8	400.81	30	30	40	68	839.8	824.98	40		
34	427.8	412.93	30	30	40	70	864.2	849.21	40		
35	440.0	425.04	30	30	40	72	888.4	873.48	40		
36	452.0	437.16	30	30	40	75	924.8	909.83	40		
37	464.2	449.27	30	30		76	936.9	921.98	40	40	40
38	476.2	461.39	30	30	40	80	985.4	970.44	40		
39	488.5	473.50	30	30		85	1046.0	1031.10	40		

24A

1" 1/2x1"

For Roller chains DIN8187ISO/R606



PLATEWHEEL

		mm
Tooth radius	r ₃	38
Radius width	C	4.0
Tooth width	B ₁	24.1
Tooth width	b ₁	23.6
Tooth width	B ₂	72
Tooth width	B ₃	120.3

CHAIN

	mm
Pitch	38.1
Inner width	25.4
Roller diameter	25.4