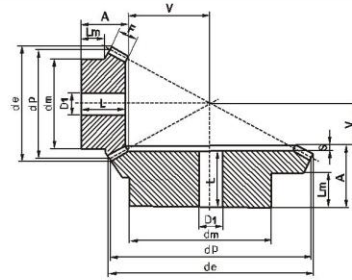


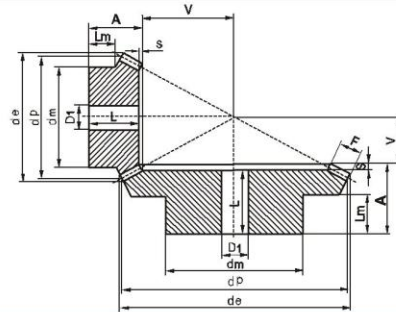
Bevel gear pairs with Usual Axes
Pressure angle 20°



TYPE-A Ratio-1 : 1

M	Z	d _p	d _e	F	A	d _m	D ₁	L	V	S	L _m
1.5	16	24.0	26.12	6	18.9	20.3	8		7.10		12
	20	30.0	32.12	10	20	22	10	18	7.40	2	8.5
	25	37.5	39.62	10	23	28	10	21	11.09	2	12
	30	45.0	47.12	12	25	30	12	22.5	13.35	2.5	12
2	16	32.0	34.83	8	23.5	25.3	8		9.50		14
	20	40.0	42.83	12	25	32	10	22	10.78	3	12
	25	50.0	52.82	14	28	40	12	25	14.28	3	12.3
	30	60.0	62.83	16	30	50	12	27	17.78	3	12.8
2.5	16	40.0	43.53	10	28.1	30.3	12		11.90		15
	20	50.0	53.53	12	30.5	40	12	27	15.43	3.5	16
	25	62.5	66.00	15	33.5	50	15	30	19.48	3.5	16
	30	75.0	78.53	18	35.5	55	15	32	23.63	3.5	16
3	16	48.0	52.25	12	31.7	40.3	12		14.30		18
	20	60.0	64.24	18	35	45	15	31	16.00	4	13.6
	25	75.0	79.24	20	38	55	15	34	22.00	4	16
	30	90.0	94.24	22	40	60	20	36	28.00	4	17
3.5	16	56.0	60.95	14	36.4	45.3	16		16.60		20
	20	70.0	74.95	22	40.5	55	15	36	18.13	4.5	17
	25	87.5	92.45	26	43.5	65	20	39	23.97	4.5	18
	30	105.0	109.95	30	48	70	20	43.5	30.02	4.5	19
4	16	64.0	69.65	15	44.3	50.3	16		19.70		25
	20	80.0	85.65	25	43	60	18	38	20.74	5	18
	25	100.0	105.65	28	45	70	20	40	28.50	5	18
	30	120.0	125.65	32	48	80	20	43	35.67	5	16
4.5	16	72.0	78.38	17.5	46.3	55.3	20		21.70		25
	20	90.0	96.38	28	48	65	20	42	23.41	6	18
	25	112.5	118.80	32	50	75	20	44	31.76	6	18
	30	135.0	141.38	35	53	90	20	47	40.82	6	17

Bevel gear pairs with Usual Axes
Pressure angle 20°

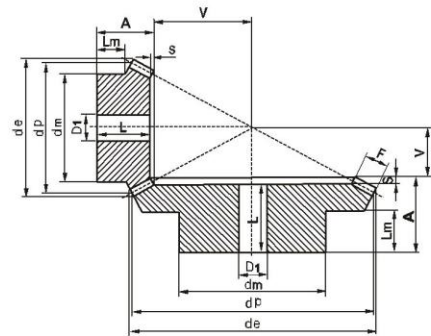


TYPE-A Ratio-1 : 2

M	Z	d _p	d _e	F	A	d _m	D ₁	L	V	S	L _m
1.5	16	24	26.68	8	19.5	21	10	18	16.33	1.5	11.3
	32	48	49.34	8	20.0	32	12	17	7.45	3	10
2	16	32	35.57	10	23.0	26	10	21	22.41	2	11.9
	32	64	65.78	10	25.0	40	12	21	10.21	4	10
2.5	16	40	44.47	12	27.5	34	12	25	28.38	2.5	14.4
	32	80	82.23	12	25.0	50	15	20	12.97	5	10
3	16	48	53.36	15	28.0	40	15	25	33.64	3	11.6
	32	96	98.68	15	30.0	60	15	24	15.31	6	10
3.5	16	56	62.26	18	33.5	48	15	30	38.83	3.5	14.4
	32	112	115.12	18	31.0	70	20	24	17.77	7	10
4	16	64	71.15	20	36.0	50	15	32	44.81	4	13.4
	32	128	131.57	20	32.0	80	20	24	20.42	8	10
4.5	16	72	80.05	22	39.5	60	20	35	51.00	4.5	15.4
	32	144	148.00	22	36.0	90	20	27	23.21	9	10

Bevel gear pairs with Usual Axes

Pressure angle 20°

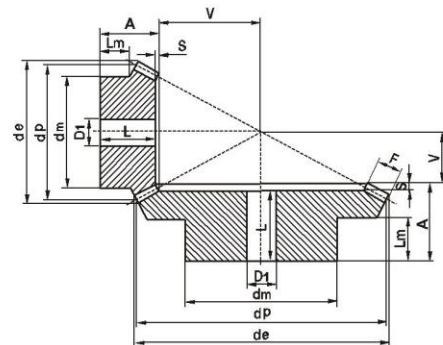


TYPE-A Ratio-1 : 3

M	Z	d_b	d_e	F	A	d_m	D_1	L	V	S	L_m
1.5	16	24	26.82	12	24	20	10	23	24.42	1	11.7
	48	72	72.95	12	20	50	12	17	7.27	3	10
2	16	32	35.80	15	28.5	26	12	27	33.26	1.5	12.4
	48	96	97.26	15	23	60	15	19	9.90	4	10
2.5	16	40	44.74	18	32	32	12	30	42.41	1.5	13
	48	120	121.58	18	26	70	20	21	12.60	5	10
3	16	48	53.69	18	32	40	15	30	54.25	2	12.1
	48	144	145.90	18	29	80	20	23	16.20	6	10
3.5	16	56	62.64	22	38	48	15	35.5	62.29	2.5	15
	48	168	170.21	22	31	90	20	24	18.48	7	10
4	16	64	71.59	25	41.5	55	20	38.5	71.23	3	15.2
	48	192	194.53	25	33	100	20	25	21.20	8	10
4.5	16	72	80.53	28	53	60	20	50	80.27	3	23.4
	48	216	218.84	28	49	100	20	40	23.93	9	18
5	16	80	89.48	35	60	60	20	57	85.61	3	22.5
	48	240	243.16	35	50	150	20	40	25.45	10	20

Bevel gear pairs with Usual Axes

Pressure angle 20°



TYPE-A Ratio-1 : 4

M	Z	d_b	d_e	F	A	d_m	D_1	L	V	S	L_m
1.5	16	24	26.91	12	25	18	10	24	36.02	1	12.2
	64	96	96.73	12	22	70	15	19	8.53	3	10
2	16	32	35.88	15	24	25	12	23	49.07	1	8.2
	64	128	128.97	15	24	80	20	20	11.79	4	10
2.5	16	40	44.85	18	30.5	30	12	29	61.99	1.5	11.7
	64	160	161.21	18	29	90	20	24	13.77	5	10
3	16	48	53.82	22	34	40	15	32	74.05	2	11
	64	192	193.45	22	30	100	20	24	16.41	6	10
3.5	16	56	62.80	25	45	48	15	43	87.13	2	19.1
	64	224	225.70	25	50	100	20	43	19.32	7	22
4	16	64	71.76	30	50	50	20	48	98.21	2	18.5
	64	256	257.94	30	50	120	20	42	21.72	8	20
4.5	16	72	80.73	32	53	55	20	50.5	112.08	2.5	19
	64	288	290.18	32	53	130	20	44	24.83	9	23
5	16	80	89.70	35	58	60	20	55.5	125.0	2.5	20.6
	64	320	322.42	35	58	150	20	48	27.65	10	25